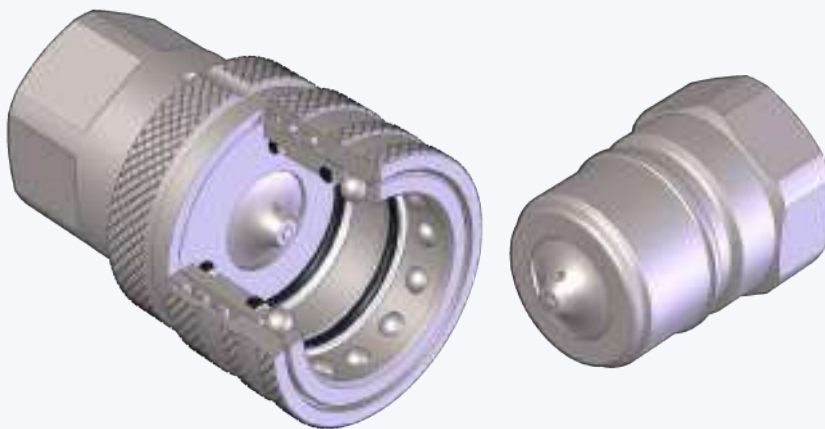


NORDIC INTERCHANGE

VALVOLA DECOMPRESSIONE/ACCIAIO
 DECOMPRESSION VALVE/STEEL
 DEKOMPRESSIONSVENTIL/STAHL
 CLAPET DECOMPRESSION/ACIER

Caratteristiche tecniche I

- Intercambiabilità: serie Parker-Tema T
- Occlusione: valvola decompressione
- Aggancio: sfere radiali
- Materiale: acciaio
- Finitura: Zn-Ni
- Filettature: BSP - NPT
- Guarnizioni standard: NBR
- Temperatura d'esercizio: -25 °C +100 °C
- Guarnizioni opzionali: FKM, EPDM o altro
- Pressioni di esercizio: 300-370 bar
- Connessione in pressione: consentita (lato maschio o lato femmina)


Technical data E

- Interchange: Parker-Tema T series
- Occlusion: decompression valve
- Locking: radial balls
- Material: steel
- Finishing: Zn-Ni
- Threads: BSP - NPT
- Standard seals: NBR
- Working temperature: -25 °C +100 °C
- Optional seals: FKM, EPDM or more
- Working pressure: 300-370 bar
- Connection under pressure: allowed (both male or female side)

| Nominal size | | | | Max working pressure | Rated flow | Max flow rate | Min burst pressure | | | Fluid spillage |
|--------------|----|------|------|----------------------|------------|---------------|--------------------|--------|---------|----------------|
| DNP | BG | ISO | mm | | | | Male | Female | Coupled | |
| 10 | 2 | 10 | 9.2 | 37 | 45 | 90 | 110 | 140 | 130 | 2.5 |
| 13 | 3 | 12.5 | 12.2 | 35 | 90 | 160 | 110 | 130 | 120 | 6 |
| 20 | 4 | 19 | 18.3 | 30 | 212 | 300 | 90 | 110 | 110 | 20 |
| 25 | 5 | 25 | 23.7 | 30 | 380 | 500 | 90 | 100 | 110 | 35 |

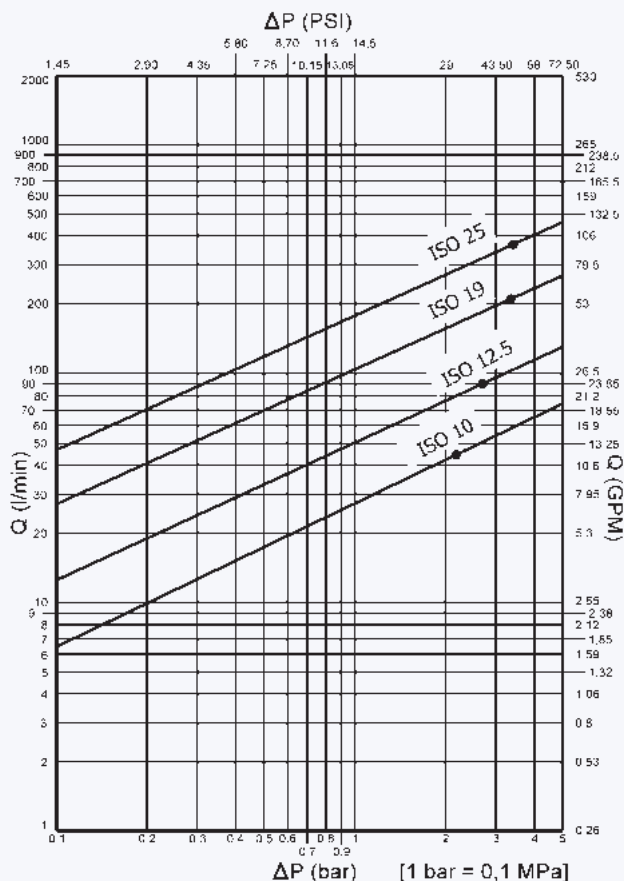
1 MPa = 145.04 psi • 1 l = 0.264 gal

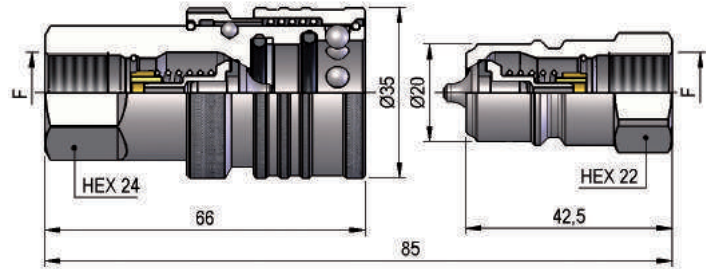
Technische Merkmale D

- Austauschbarkeit: Parker-Tema T Serie
- Verschluss: Dekompressionsventil
- Kupplung: Radial Kugeln
- Werkstoff: Stahl
- Ausführung: Zn-Ni
- Gewinde: BSP - NPT
- Standard-Dichtungen: NBR
- Betriebstemperatur: -25 °C +100 °C
- Dichtungen nach Wahl: FKM, EPDM, usw.
- Betriebsdruck: 300-370 bar
- Kuppeln unter Druck: erlaubt (Steckerseite oder Muffeseite)

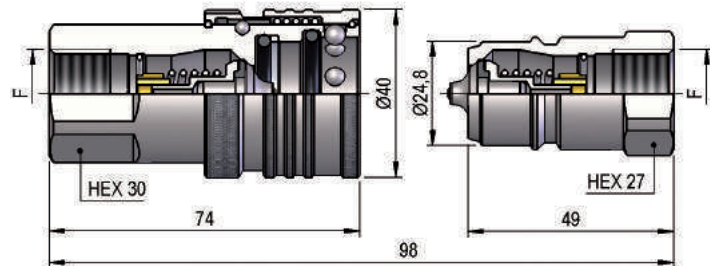
Caracteristiques techniques F

- Intercambiabilità: série Parker-Tema T
- Obturation: clapet décompression
- Accrochage: billes radiales
- Matériel: acier
- Traitement: Zn-Ni
- Taraudage: BSP - NPT
- Joints standard: NBR
- Température de service: -25 °C +100 °C
- Joints facultatifs: FKM, EPDM, ect.
- Pression de service: 300-370 bar
- Connexion sous pression: possible (côté male ou femelle)

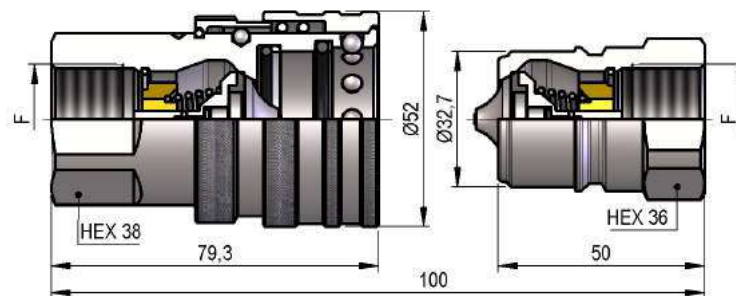


PTK1 DN10 - BG 2 - ISO 10


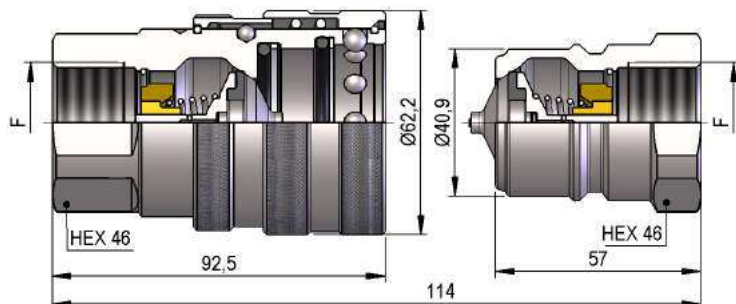
| F | STANDARD | FEMMINA - FEMALE - MUFFE - FEMELLE | | | MASCHIO - MALE - STECKER - MALE | | |
|----------|--------------|------------------------------------|------------|------------------|---------------------------------|------------|------------------|
| | | COD. F | Weight (g) | Packaging (pcs.) | COD. M | Weight (g) | Packaging (pcs.) |
| BSP 3/8" | DIN 3852-2-X | PTK1.1010.002 | 250 | 47 | PTK1.1010.003 | 70 | 200 |
| NPT 3/8" | ANSI B1.20.3 | PTK1.1010.012 | 252 | 47 | PTK1.1010.013 | 72 | 200 |

PTK1 DN13 - BG 3 - ISO 12.5


| F | STANDARD | FEMMINA - FEMALE - MUFFE - FEMELLE | | | MASCHIO - MALE - STECKER - MALE | | |
|----------|--------------|------------------------------------|------------|------------------|---------------------------------|------------|------------------|
| | | COD. F | Weight (g) | Packaging (pcs.) | COD. M | Weight (g) | Packaging (pcs.) |
| BSP 1/2" | DIN 3852-2-X | PTK1.1313.002 | 360 | 35 | PTK1.1313.003 | 117 | 100 |
| NPT 1/2" | ANSI B1.20.3 | PTK1.1313.012 | 363 | 35 | PTK1.1313.013 | 120 | 100 |

PTK1 DN20 - BG 4 - ISO 19


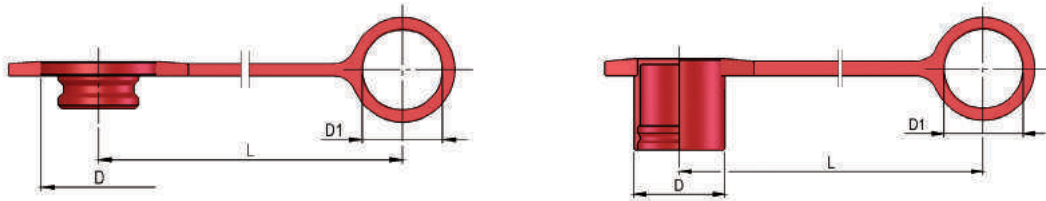
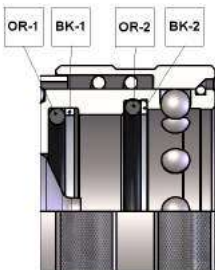
| F | STANDARD | FEMMINA - FEMALE - MUFFE - FEMELLE | | | MASCHIO - MALE - STECKER - MALE | | |
|----------|--------------|------------------------------------|------------|------------------|---------------------------------|------------|------------------|
| | | COD. F | Weight (g) | Packaging (pcs.) | COD. M | Weight (g) | Packaging (pcs.) |
| BSP 3/4" | DIN 3852-2-X | PTK1.2019.002 | 614 | 20 | PTK1.2019.003 | 204 | 42 |
| NPT 3/4" | ANSI B1.20.3 | PTK1.2019.012 | 620 | 20 | PTK1.2019.013 | 209 | 42 |

PTK1 DN25 - BG 5 - ISO 25


| F | STANDARD | FEMMINA - FEMALE - MUFFE - FEMELLE | | | MASCHIO - MALE - STECKER - MALE | | |
|--------|--------------|------------------------------------|------------|------------------|---------------------------------|------------|------------------|
| | | COD. F | Weight (g) | Packaging (pcs.) | COD. M | Weight (g) | Packaging (pcs.) |
| BSP 1" | DIN 3852-2-X | PTK1.2525.002 | 1014 | 12 | PTK1.2525.003 | 348 | 24 |
| NPT 1" | ANSI B1.20.3 | PTK1.2525.012 | 1024 | 12 | PTK1.2525.013 | 357 | 24 |

PLASTIC CAPS

| NOMINAL SIZE | | FEMALE DUST PLUG | | | | | | | MALE DUST CAP | | | | | COLOR | MATERIAL |
|--------------|----|------------------|------------|------------|-----|----|------------|------------|---------------|-----|----|------------|---|-------|----------|
| DNP | BG | ISO | COD. F | Dimensions | | | Weight (g) | COD. M | Dimensions | | | Weight (g) | | | |
| | | | | D | L | D1 | | | D | L | D1 | | | | |
| 10 | 2 | 10 | SPTV.10002 | 33 | 140 | 24 | 13 | SPTV.10003 | 26 | 140 | 24 | 14 | ● | PVC | |
| 13 | 3 | 12.5 | SPTV.13002 | 39 | 160 | 28 | 17 | SPTV.13003 | 31 | 160 | 28 | 18 | ● | PVC | |
| 20 | 4 | 19 | SPTV.20002 | 51 | 190 | 34 | 27 | SPTV.20003 | 39 | 190 | 34 | 25 | ● | PVC | |
| 25 | 5 | 25 | SPTV.25002 | 61 | 250 | 50 | 40 | SPTV.25003 | 50 | 250 | 50 | 48 | ● | PVC | |


SPARE PARTS


| NOMINAL SIZE | | | FEMALE GASKET | | | |
|--------------|----|------|---------------|-------------|-------------|-------------|
| DNP | BG | ISO | OR-1 (NBR*) | OR-2 (NBR*) | BK-1 (PTFE) | BK-2 (PTFE) |
| 10 | 2 | 10 | PDV.010.120 | PAV.013.120 | PTV.010.130 | - |
| 13 | 3 | 12.5 | PVV.013.120 | PTV.013.120 | PTV.013.130 | - |
| 20 | 4 | 19 | PVT.019.121 | PTV.019.120 | PTV.019.130 | PTV.019.131 |
| 25 | 5 | 25 | PLK.039.120 | PTV.025.120 | PTV.025.130 | VFH.025.130 |

*AL CODICE DELLA GUARNIZIONE IN NBR AGGIUNGERE 'E' PER EPDM O 'V' PER VITON

*TO THE NBR GASKET CODE ADD 'E' FOR EPDM OR 'V' FOR VITON

*ZU DER ARTIKELNR. DER NBR DICHTUNG GEBEN SIE 'E' FUER EPDM ODER 'V' FUER VITON AN

*AU CODE DU JOINT EN NBR JOINDRE 'E' POUR EPDM OU 'V' POUR VITON