



High Tonnage CYLINDER RC SERIES

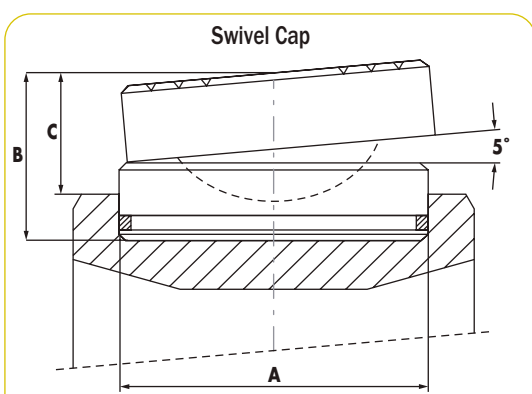
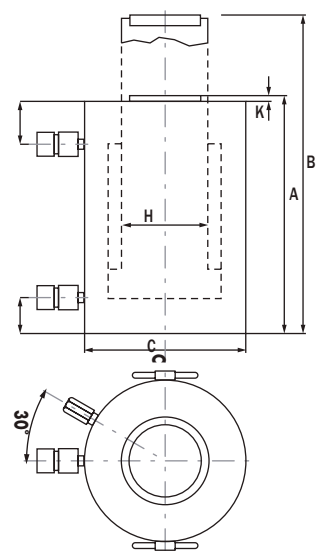
740 & 1220 Double-Acting, Hydraulic Return

High Tonnage Cylinders
Rugged And Reliable!

- Cylinders come standard with hardened caps.
- Optional swivel caps to reduce the effects of off-center loading.
- Cylinders may be “dead-ended” without damage.
- Safety relief valve prevents over-pressurization of the retract circuit.
- Each cylinder has two 9796 3/8” NPTF female half couplers.



Double-Acting High Tonnage Cylinders



Order No.	Used with Cyl.	A mm	B mm	C mm	Product Wt. kg
2000822	RC740*D	200	79	56	19
2000823	RC965*D	249	104	76	40
2000825	RC1220*D	323	175	125	113

Cyl. Cap. (tons)	Stroke (mm)	Order No.	Oil Cap. (cm ³)	A Retracted Height (mm)	B Extended Height (mm)	C Outside Dia. (mm)	F Base to Port (mm)	G Cyl. Top to Port (mm)	H Piston Rod Dia. (mm)	K Piston Rod Protrusion (mm)	Cyl. Effective Area (cm ²)	Metric Tons at 700 bar	Product Wt.
740	50	RC7402D	4.811	283	333	430	65	100	280	9	962,0	673,5	304
740	150	RC7406D	14.132	398	548	430	65	100	280	9	962,0	673,5	398
740	250	RC74010D	24.053	508	758	430	65	100	280	9	962,0	673,5	490
965	50	RC9652D	6.283	310	360	490	70	115	320	10	1.256,6	879,7	434
965	150	RC9656D	18.850	420	570	490	70	115	320	10	1.256,6	879,7	551
965	250	RC96510D	31.416	530	780	490	70	115	320	10	1.256,6	879,7	668
1220	50	RC12202D	7.952	330	380	550	80	135	360	10	1.590,4	1.113,3	584
1220	150	RC12206D	23.856	440	590	550	80	135	360	10	1.590,4	1.113,3	731
1220	250	RC122010D	39.761	550	800	550	80	135	360	10	1.590,4	1.113,3	878

CYLINDERS





High Tonnage CYLINDER RC SERIES

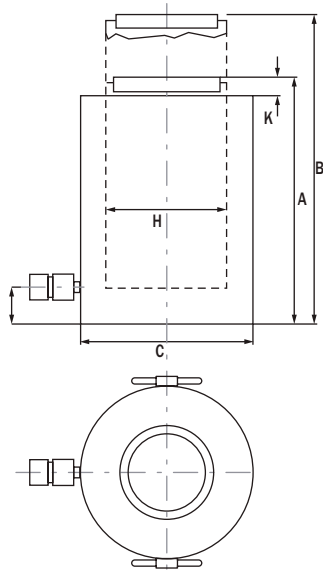
740 - 1220 Ton
Single-Acting,
Load Return

High-tonnage, low cycle,
gravity return.

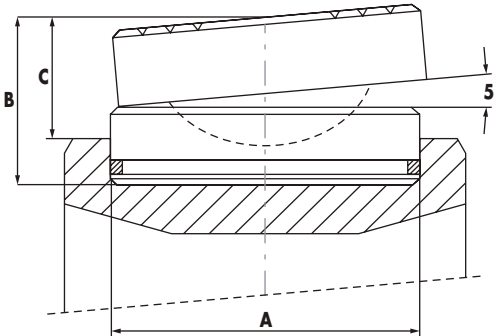
- Overflow port (“weep hole”) prevents piston from being overextended under load.
- Alloy heat treated piston and body for reliability and strength.
- Plated piston rod increase corrosion resistance and give superior bearing qualities.



Single-Acting High Tonnage Cylinders



Swivel Cap



Order No.	Used with Cyl.	A mm	B mm	C mm	Product Wt. kg
2000822	RC740*C	200	79	56	19
2000823	RC965*C	249	104	76	40
2000825	RC1220*C	323	175	124	113

Cyl. Cap. (tons)	Stroke (mm)	Order No.	Oil Cap. (cm ³)	A Retracted Height (mm)	B Extended Height (mm)	C Outside Dia. (mm)	F Base to Port (mm)	H Piston Rod Dia. (mm)	K Piston Rod Protrusion (mm)	Bore Dia. (mm)	Cyl. Effective Area (cm ²)	Metric Tons @ 700 bar	Product Wt. (kg)
740	50	RC7402C	4.811	265	315	430	65	350	9	350	962	673,5	300
740	150	RC7406C	14.132	365	515	430	65	350	9	350	962	673,5	416
740	250	RC74010C	24.053	465	715	430	65	350	9	350	962	673,5	530
965	50	RC9652C	6.283	290	340	490	70	400	10	400	1.256,6	879,7	423
965	150	RC9656C	18.850	390	540	490	70	400	10	400	1.256,6	879,7	577
965	250	RC96510C	31.416	490	740	490	70	400	10	400	1.256,6	879,7	725
1220	50	RC12202C	7.952	415	465	550	80	450	10	450	1.590,4	1.113,3	766
1220	150	RC12206C	23.856	440	665	550	80	450	10	450	1.590,4	1.113,3	960
1220	250	RC122010C	39.761	615	865	550	80	450	10	450	1.590,4	1.113,3	1.147

CYLINDERS

