



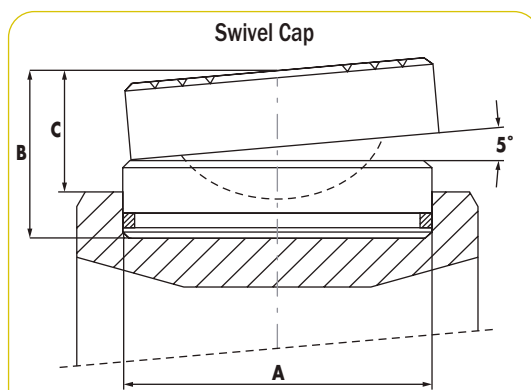
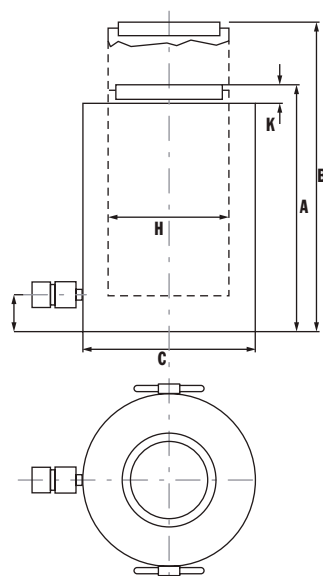
Locking Collar CYLINDER RC SERIES

740 & 1220
Single-Acting,
Load Return

Positive mechanical lock
to support load.

CYLINDERS

Single-Acting Locking Collar Cylinders



Order No.	Used with cyl.	A mm	B mm	C mm	Product Wt. kg
2000822	RC740*L	200	79	56	19
2000823	RC965*L	249	104	76	40
2000825	RC1220*L	323	175	125	113

Cyl. Cap. (tons)	Stroke (mm)	Order No.	Oil Cap. (mm ³)	A Retracted Height (mm)	B Extended Height (mm)	C Outside Dia. (mm)	F Base to Port (mm)	H Piston Rod Dia. (mm)	K Piston Rod Protrusion (mm)	Bore Dia. (mm)	Cyl. Effective Area (mm ²)	Metric Tons at 700 bar	Product Wt. (kg)
740	50	RC7402L	4.811	395	445	475	90	TR350X6	5	350	962,0	673,5	545
740	150	RC7406L	14.432	495	645	475	90	TR350X6	5	350	962,0	673,5	683
740	250	RC74010L	24.053	595	845	475	90	TR350X6	5	350	962,0	673,5	821
965	50	RC9652L	6.280	455	505	540	100	TR400X6	5	400	1.256,6	879,7	714
965	150	RC9656L	18.849	555	705	540	100	TR400X6	5	400	1.256,6	879,7	990
965	250	RC96510L	31.400	635	885	540	100	TR400X6	5	400	1.256,6	879,7	1.170
1220	50	RC12202L	7.949	443	493	600	110	TR450X6	5	450	1.590,4	1.113,3	969
1220	150	RC12206L	23.856,5	598	748	600	110	TR450X6	5	450	1.590,4	1.113,3	1.310
1220	250	RC122010L	39.741	698	948	600	110	TR450X6	5	450	1.590,4	1.113,3	1.530