

GIUNTI GIREVOLI
SWIVEL JOINTS
DREHGELENKE
JOINTS TOURNANTS

Caratteristiche tecniche I

- Materiale: acciaio (GGL1-GGN1) o acciaio inox AISI 316 (GGLX-GGNX)
- Finitura: Zn-Fe (GGL1-GGN1)
- Filettature: BSP
- Guarnizioni standard: NBR (GGL1-GGN1)/FKM (GGLX-GGNX)
- Temperatura d'esercizio:
(GGL1-GGN1) -25 °C +100 °C
(GGLX-GGNX) -25 °C +200 °C
- Guarnizioni opzionali: FKM, EPDM o altro
- Pressioni di esercizio: 150-350 bar

Technical data E

- Material: steel (GGL1-GGN1) or stainless steel AISI 316 (GGLX-GGNX)
- Finishing: Zn-Fe (GGL1-GGN1)
- Threads: BSP
- Standard seals: NBR (GGL1-GGN1)/FKM (GGLX-GGNX)
- Working temperature:
(GGL1-GGN1) -25 °C +100 °C
(GGLX-GGNX) -25 °C +200 °C
- Optional seals: FKM, EPDM or more
- Working pressure: 150-350 bar

Technische Merkmale D

- Werkstoff: Stahl (GGL1-GGN1) oder rostfreiem Stahl AISI 316 (GGLX-GGNX)
- Ausführung: Zn-Fe (GGL1-GGN1)
- Gewinde: BSP
- Standard-Dichtungen: NBR (GGL1-GGN1)/FKM (GGLX-GGNX)
- Betriebstemperatur:
(GGL1-GGN1) -25 °C +100 °C
(GGLX-GGNX) -25 °C +200 °C
- Dichtungen nach Wahl: FKM, EPDM, usw.
- Betriebsdruck: 150-350 bar
- Drehgeschwindigkeit: 5÷10 rpm

Caracteristiques techniques F

- Matériel: acier (GGL1-GGN1) ou acier inoxydable AISI 316 (GGLX-GGNX)
- Traitement: Zn-Fe (GGL1-GGN1)
- Taraudage: BSP
- Joints standard: NBR (GGL1-GGN1)/FKM (GGLX-GGNX)
- Température de service:
(GGL1-GGN1) -25 °C +100 °C
(GGLX-GGNX) -25 °C +200 °C
- Joints facultatifs: FKM, EPDM, ect.
- Pression de service: 150-350 bar
- Vitesse de rotation: 5÷10 rpm

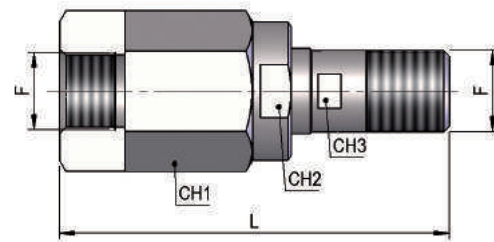


GGL1 - GGLX				Max working pressure	Rated flow	Max flow rate
Nominal size						
DNP	BG	ISO	mm	MPa	l/min	l/min
06	1	6.3	6.5	35	12	24
10	2	10	10	35	23	45
13	3	12.5	12	30	45	90
20	4	20	18	25	106	210
25	5	25	22	25	189	280
30	6	31.5	30	18	288	379
39	7	40	35	15	379	860
50	8	50	45	15	757	1400

1 MPa = 145.04 psi • 1 l = 0.264 gal

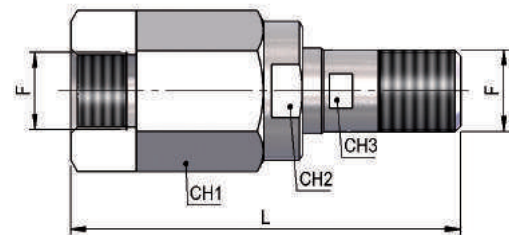
GGN1 - GGNX				Max working pressure	Rated flow	Max flow rate
Nominal size						
DNP	BG	ISO	mm	MPa	l/min	l/min
06	1	6.3	6.5	35	12	24
10	2	10	10	30	23	45
13	3	12.5	12	30	45	90
20	4	20	18	25	106	210
25	5	25	22	25	189	280
30	6	31.5	30	20	288	379
39	7	40	35	15	379	860
50	8	50	45	15	757	1400

1 MPa = 145.04 psi • 1 l = 0.264 gal

GGL1 / STEEL / DN06-DN50


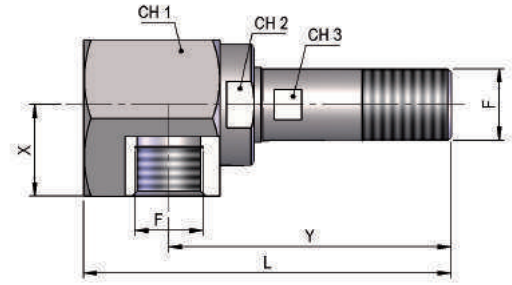
NOMINAL SIZE			L	CH1	CH2	CH3	F	STANDARD		
DNP	BG	ISO							COD. F	Weight(g)
06	1	6.3	75	27	24	11	BSP 1/4"	DIN 3852-2	GGL1.0606.002	218
10	2	10	88	34	30	14	BSP 3/8"	DIN 3852-2	GGL1.1010.002	406
13	3	12.5	101	36	32	18	BSP 1/2"	DIN 3852-2	GGL1.1313.002	496
20	4	20	110	45	41	24	BSP 3/4"	DIN 3852-2	GGL1.2019.002	793
25	5	25	124	55	50	30	BSP 1"	DIN 3852-2	GGL1.2525.002	1365
30	6	31.5	129	60	55	38	BSP 1" 1/4	DIN 3852-2	GGL1.3031.002	1550
39	7	40	138	75	70	41	BSP 1" 1/2	DIN 3852-2	GGL1.3939.002	2590
50	8	50	149	85	75	55	BSP 2"	DIN 3852-2	GGL1.5051.002	3480

ALTRE FILETTATURE A RICHIESTA - OTHER THREADS ON REQUEST - ANDERE GEWINDE AUF WUNSCH EBENFALLS LIEFERBAR - AUTRES TARAUDAGES SUR DEMANDE

GGLX / STAINLESS STEEL / DN06-DN50


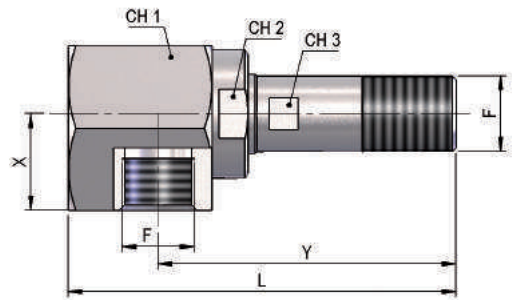
NOMINAL SIZE			L	CH1	CH2	CH3	F	STANDARD		
DNP	BG	ISO							COD. F	Weight(g)
06	1	6.3	75	27	24	11	BSP 1/4"	DIN 3852-2	GGLX.0606.002	230
10	2	10	88	34	30	14	BSP 3/8"	DIN 3852-2	GGLX.1010.002	400
13	3	12.5	101	36	32	18	BSP 1/2"	DIN 3852-2	GGLX.1313.002	500
20	4	20	110	46	41	24	BSP 3/4"	DIN 3852-2	GGLX.2019.002	800
25	5	25	124	50	50	30	BSP 1"	DIN 3852-2	GGLX.2525.002	1100
30	6	31.5	129	55	55	38	BSP 1" 1/4	DIN 3852-2	GGLX.3031.002	1400
39	7	40	138	70	70	41	BSP 1" 1/2	DIN 3852-2	GGLX.3939.002	2300
50	8	50	149	80	75	55	BSP 2"	DIN 3852-2	GGLX.5051.002	3100

ALTRE FILETTATURE A RICHIESTA - OTHER THREADS ON REQUEST - ANDERE GEWINDE AUF WUNSCH EBENFALLS LIEFERBAR - AUTRES TARAUDAGES SUR DEMANDE

GGN1 / STEEL / DN06-DN50


NOMINAL SIZE			L	X	Y	CH1	CH2	CH3	F	STANDARD		
DNP	BG	ISO									COD. F	Weight(g)
06	1	6.3	78	18	65.5	32	24	11	BSP 1/4"	DIN 3852-2	GGN1.0606.002	295
10	2	10	98	20.5	83	38	30	14	BSP 3/8"	DIN 3852-2	GGN1.1010.002	489
13	3	12.5	108	27	89	46	32	18	BSP 1/2"	DIN 3852-2	GGN1.1313.002	701
20	4	20	118	27	99	50	41	24	BSP 3/4"	DIN 3852-2	GGN1.2019.002	940
25	5	25	143	32.5	119	60	50	30	BSP 1"	DIN 3852-2	GGN1.2525.002	1645
30	6	31.5	156	54	125	60	55	38	BSP 1 1/4"	DIN 3852-2	GGN1.3031.002	2315
39	7	40	170	50.5	132.5	75	70	41	BSP 1 1/2"	DIN 3852-2	GGN1.3939.002	4140
50	8	50	190	53	142.5	95	80	55	BSP 2"	DIN 3852-2	GGN1.5051.002	6810

ALTRE FILETTATURE A RICHIESTA - OTHER THREADS ON REQUEST - ANDERE GEWINDE AUF WUNSCH EBENFALLS LIEFERBAR - AUTRES TARAUDAGES SUR DEMANDE

GGNX / STAINLESS STEEL / DN06-DN50


NOMINAL SIZE			L	X	Y	CH1	CH2	CH3	F	STANDARD		
DNP	BG	ISO									COD. F	Weight(g)
06	1	6.3	78	18	65.5	32	24	11	BSP 1/4"	DIN 3852-2	GGNX.0606.002	340
10	2	10	98	20.5	83	38	30	14	BSP 3/8"	DIN 3852-2	GGNX.1010.002	520
13	3	12.5	108	27	89	46	32	18	BSP 1/2"	DIN 3852-2	GGNX.1313.002	760
20	4	20	118	27	99	50	41	24	BSP 3/4"	DIN 3852-2	GGNX.2019.002	1020
25	5	25	143	32.5	119	60	50	30	BSP 1"	DIN 3852-2	GGNX.2525.002	1800
30	6	31.5	156	54	125	60	55	38	BSP 1 1/4"	DIN 3852-2	GGNX.3031.002	2300
39	7	40	170	50.5	132.5	75	70	41	BSP 1 1/2"	DIN 3852-2	GGNX.3939.002	4100
50	8	50	190	53	142.5	95	80	55	BSP 2"	DIN 3852-2	GGNX.5051.002	7800

ALTRE FILETTATURE A RICHIESTA - OTHER THREADS ON REQUEST - ANDERE GEWINDE AUF WUNSCH EBENFALLS LIEFERBAR - AUTRES TARAUDAGES SUR DEMANDE